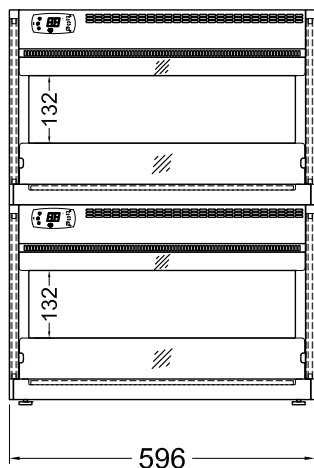
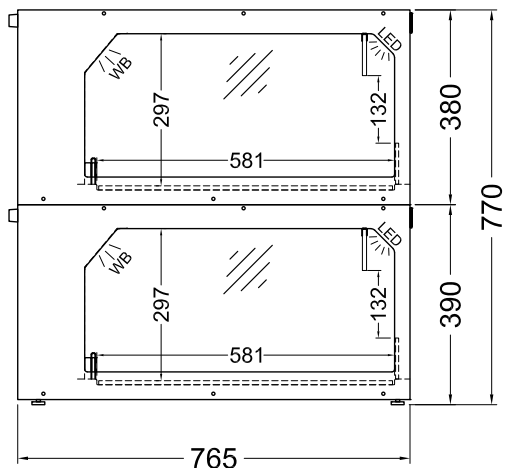


(front side)



(side elevation)



ACCESSORIES AND OPTIONS

Item	Item no.	Price
Flex Roller black	EK018163	360,-
Base deck RAL9005 width 255 mm	87019177	123,-
Base deck RAL9005 width 510 mm	87018567	246,-
Snack holder RAL9005 width 65 mm	87019214	82,-
Snack holder RAL9005 width 128 mm	87019180	94,-
Snack wave RAL9005 flat	87019190	94,-
Snack wave RAL9005 oblique	87019194	94,-
Connection kit*	87016086	25,-

* Optional connection kits are required to assemble individual variants