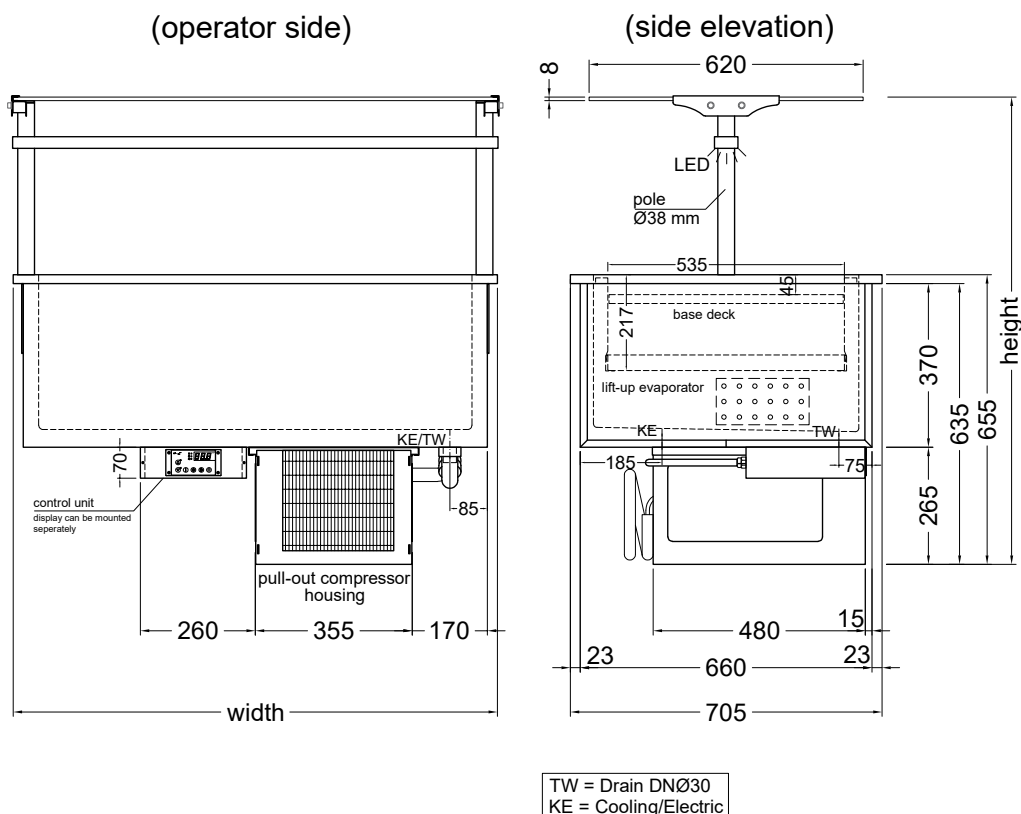


REFRIGERATED WELL WITH CONVECTION COOLING, WITH SNEEZE GUARD



Glass curved on one side

Item	Item no.	Item	Item no.
Self-Contained		Remote Refrigeration	
UKW SB 2-1-E R290 with HS-2-1-40	EU 358 120	UKW SB 2-1-Z with HS-2-1-40	EU 358 125
UKW SB 3-1-E R290 with HS-3-1-40	EU 358 121	UKW SB 3-1-Z with HS-3-1-40	EU 358 126
UKW SB 2-1-E R290 with HS-2-1-45	EU 358 140	UKW SB 2-1-Z with HS-2-1-45	EU 358 145
UKW SB 3-1-E R290 with HS-3-1-45	EU 358 141	UKW SB 3-1-Z with HS-3-1-45	EU 358 146

Straight glass

Item	Item no.	Item	Item no.
Self-Contained		Remote Refrigeration	
UKW SB 2-1-E R290 with HS E-2-1-40	EU 358 130	UKW SB 2-1-Z with HS E-2-1-40	EU 358 135
UKW SB 3-1-E R290 with HS E-3-1-40	EU 358 131	UKW SB 3-1-Z with HS E-3-1-40	EU 358 136
UKW SB 4-1-E R290 with HS E-4-1-40	EU 358 132	UKW SB 4-1-Z with HS E-4-1-40	EU 358 137

Glass curved on both sides

Item	Item no.	Item	Item no.
Self-Contained		Remote Refrigeration	
UKW SB 2-1-E R290 with HS-2-1-45 D	EU 358 150	UKW SB 2-1-Z with HS-2-1-45 D	EU 358 155
UKW SB 3-1-E R290 with HS-3-1-45 D	EU 358 151	UKW SB 3-1-Z with HS-3-1-45 D	EU 358 156